



RTS5411

USB 3.0 Super-Speed HUB Controller

DATASHEET

Doc Rev. 1.2
30. Nov. 2015



Realtek Semiconductor Corp.

No. 2, Innovation Road II, Hsinchu Science Park, Hsinchu 300, Taiwan

Tel.: +886-3-578-0211. Fax: +886-3-577-6047

www.realtek.com.tw

TRADEMARKS

Realtek is a trademark of Realtek Semiconductor Corporation. All other names mentioned in this document are trademarks/registered trademarks of their respective owners.

Realtek provides this document “as is”, without warranty of any kind, neither expressed nor implied, including, but not limited to the particular purpose. Realtek may make improvements and/or changes in this manual or in the product(s) and/or the program(s) described in this manual at any time. This document could include technical inaccuracies or typographical errors.

Revision History

Revision	Description	Page	Date
0.90	First release		2014/01/10
0.91	Added SMBus Section		2014/03/16
0.92	Added the maximum ratings of HBM in section 5.1	10	2014/07/01
	Modified the system clock frequency in section 5.4.1	11	
	Updated the power consumption in section 5.5	12	
	Modified the power off sequence in section 5.6.	15	
	Modified the buffer type of OCP and DSP_PWR pins in section 4.3	9	
	Added comments in the Package Dimensions in section 8	27	
	Fixed the default slave address of SMBUS	19,20	
	Added SMBus Patch Setting Transfer	20	
	Added SMBus Customer Charge Configuration Transfer	21	
0.93	Modify the pin description of the OCP input pins.		2014/07/22
0.94	Add the maximum junction temperature in section 5.2	10	2014/08/20
0.95	Update power consumption in section 5.5	12,13,14	2014/11/12
0.96	Correct the clerical mistake of ‘command code’ value in section 6.3.6	21	2015/01/22
1.0	Formal Release		2015/01/30
1.1	Add ‘Tc’ parameter in section 5.2	10	2015/03/23
1.2	Add “RTS5411” mark	5	2015/11/30
	Add V _{AV12} , V _{DV12} condition : Active and Disconnect / Suspend	10	

Table of Contents

1. General Description	1
2. Features	2
3. Block Diagram	4
4. Pin Information	5
4.1 Pin Assignment	5
4.2 Pin Descriptions	6
4.3 Buffer list	9
5. Electrical Characteristics.....	10
5.1 Absolute Maximum Ratings.....	10
5.2 Recommended Operating Ranges	10
5.3 DC Characteristics	11
5.3.1 DC Characteristics except USB differential signals.....	11
5.3.2 USB 2.0 Interface DC Characteristics.....	11
5.3.3 USB 3.0 Interface DC Characteristics.....	11
5.4 AC Characteristics.....	11
5.4.1 System Clock	11
5.5 Power Consumption	12
5.6 Power On/Off Sequence.....	15
6. SMBus Slave Interface.....	17
6.1 Pull-Up Resistor for SMBus	17
6.2 SMBus Bus Protocol.....	17
6.2.1 Receive Byte	18
6.2.2 Block Write/Block Read.....	19
6.3 SMBus Transfer Protocol.....	19
6.3.1 Slave Address	19
6.3.2 Get Device Status	19
6.3.3 Block-out Transfer	20
6.3.4 Block-in Transfer	20
6.3.5 SMBus Patch Setting Transfer	20
6.3.6 Customer Charging Configuration Transfer	21
6.3.7 Invalid Protocol Response Behavior	22
6.4 Bus Reset Sequence	22
6.5 SMBus Timing	22
7. I2C Master and slave interface.....	24
7.1 I2C Slave interface	24
7.2 I2C Master interface.....	24
7.2.1 Supported Mode and Speed.....	24
7.2.2 Transfer Protocol Implementation.....	24
7.2.3 Stretching the SCK.....	25
7.2.4 Slave Response Timeout	25
7.3 I2C Timing	25
8. QFN-76 Package Dimensions	28
9. Ordering Information	30

1. General Description

RTS5411 is an advanced USB3.0 4-port HUB controller, which integrates USB3.0 and USB2.0 Transceivers, MCU, SIE, regulator and charger circuits into a single chip. That could dramatically reduce the system BOM cost. With high compatibility, RTS5411 is fully backward compatible to USB2.0 and USB1.1 specification which can be operated in Super-Speed, High-Speed, Full-Speed and Low-Speed.

RTS5411 provides the battery charging function for each downstream port. Besides complies with USB Battery Charging specification rev1.2, RTS5411 also provides charging function for various portable devices. Not only downstream ports can be used as charger, RTS5411's upstream port also supports two special functions regarding the BC1.2 specification. The first one charger function of RTS5411's upstream port is called "ACA-dock" mode. When a device which complies with ACA-dock of the BC1.2 specification is put into an ACA-Dock, it would act as a host to various USB peripherals, such as a hub, keyboard, mouse, printer, etc. However, while in ACA-dock, the device should also be able to charge at the same time. The second charger function of the RTS5411's upstream port is called "charger detection" function. RTS5411 can recognize the BC1.2 charger mode which attached to the upstream port, including CDP, DCP and SDP. RTS5411 supports an auto detection-switch mechanism to charge portable device in suitable mode.

RTS5411 can update its firmware with an external SPI flash through flexible ISP channel. With the ISP function, it can configure lots of features and settings by the external SPI flash or EEPROM as well. The ISP function is easy to complete with just one USB cable and RTS5411's download tool.

The features and settings of RTS5411 can also be configured by the SMBUS interface or internal eFuse.

RTS5411 has various interfaces to communicate with other components, such as GPIO, I2C, SMBUS. It's flexible for extending varieties of applications by using these interfaces.

Moreover, RTS5411 supports a special power saving function named delink mode.

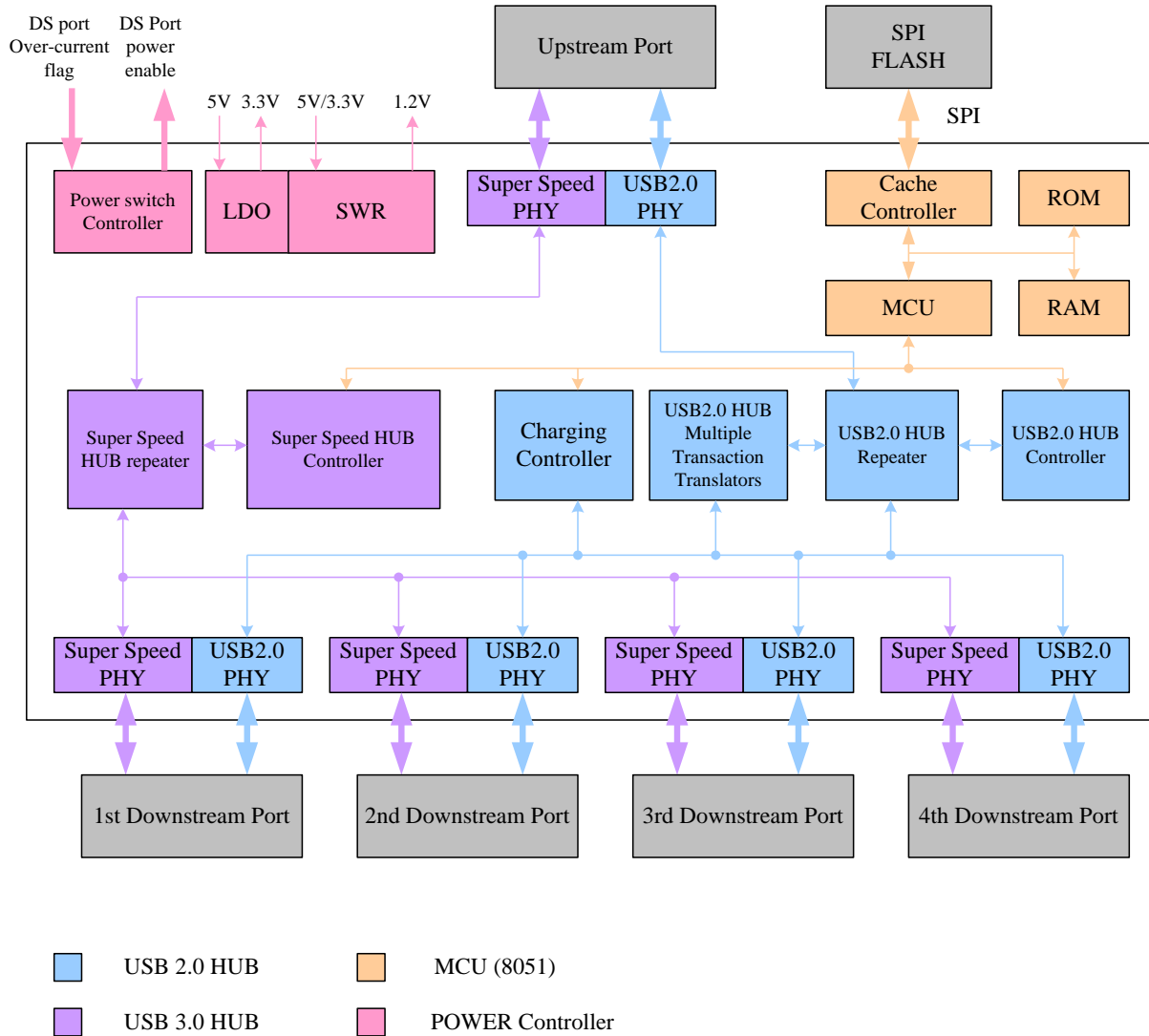
It can save more power for the system when there is no device connected to the hub even though the upstream port of the RTS5411 is attached to the downstream port of the behind host or hub.

2. Features

- Compliant with Universal Serial Bus 3.0 Specification Revision 1.0
 - 4 downstream ports for super-speed, high-speed, full-speed and low-speed traffic.
 - Backward compatible with USB specification Revision 2.0, 1.1 and 1.0.
- MTT(Multiple Transaction Translator)
 - One TT for each downstream port.
 - Better data throughput when multiple downstream ports act on FS concurrently.
- Support SMBUS to customize configurations
 - SMBUS address is configurable by external SPI Flash or internal eFuse.
- Support I2C to configure other chips on the same platform.
- Compliant with USB Battery Charging Specification Revision 1.2 and other portable devices
 - DCP Mode of BC 1.2.
 - CDP Mode of BC 1.2.
 - ACA-Dock functions of BC 1.2.
 - Charger detection functions for upstream port's charger which complies with BC1.2.
 - D+/D- Divider Modes 2.0V/2.7V, 2.7/2.0V and 2.7/2.7V.
 - D+/D- 1.2V Mode.
- The Up Stream Port of the RTS5411 can detect the DSP it is connected to is a SDP, CDP, or DCP.
When the RTS5411 is connected to a charging port, it is allowed to draw more current from the DSP.
- Support Gang mode and Individual mode for downstream port.
- Support USB2.0 LPM-L1 function
- Support USB3.0 U1/U2/U3 power saving mode
- Integrated Fast 8051 microprocessor
- Support serial flash for ISP function which can upgrade Firmware or configurations via USB directly.
- Support EEPROM for ISP function which can upgrade configurations via USB directly.
- Support 12MHz Crystal clock
- Integrated 3.3V output LDO inside, the input range supports from 4.5V to 5.5V
- Integrated 1.2V output switching regulator, the input range supports from 3.0V to 5.5V.
- Support LED control function of indicating Downstream Ports transfer activity and over-current condition.

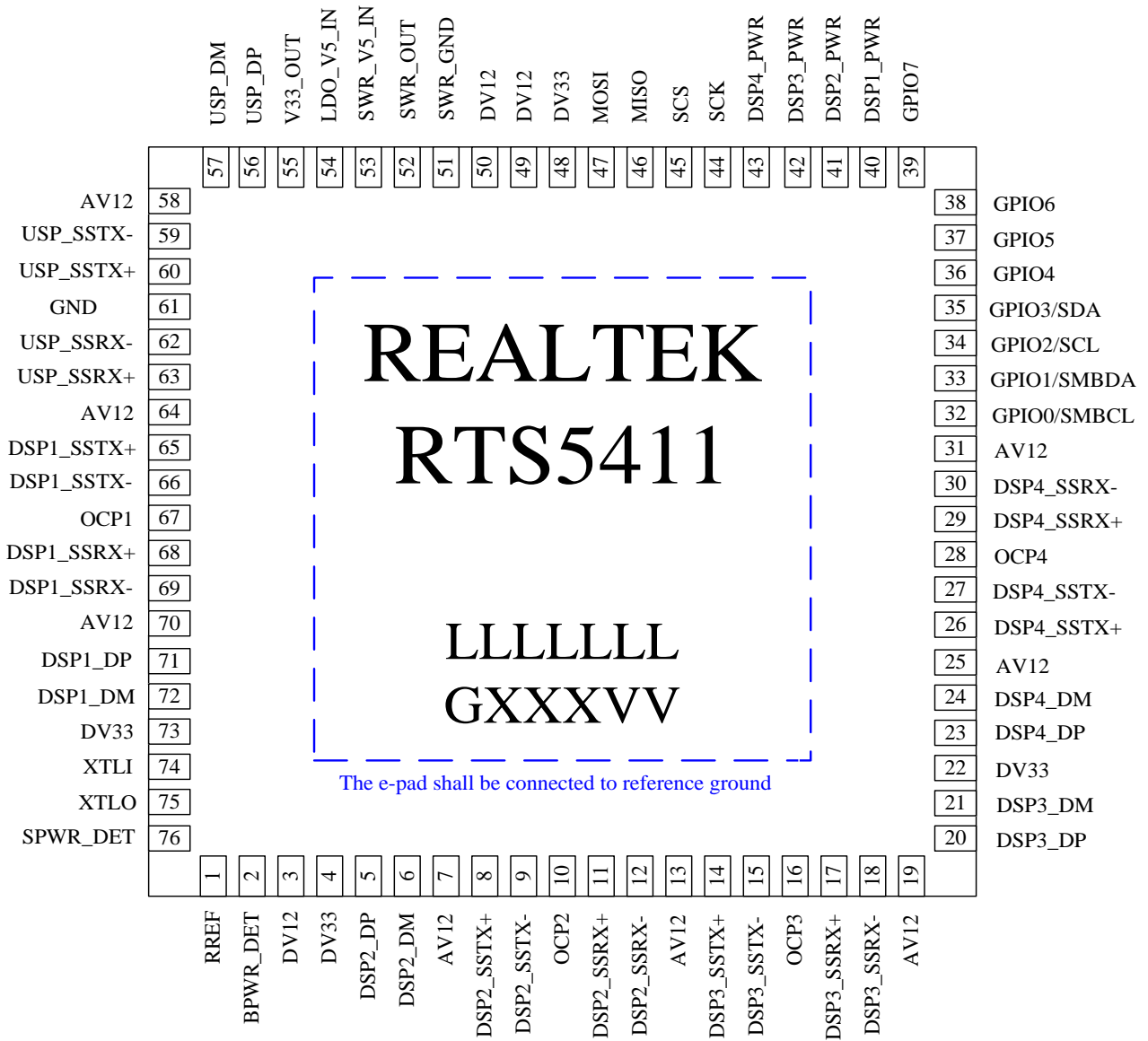
- 76-pin QFN (9 x9 mm) package
 - Support Efuse to configure functions or configurations such as non-removable port, gang mode, etc.
 - Support the “Delink” function for extreme power saving
 - If there is no any device attached to the RTS5411’s downstream ports, the RTS5411 will disconnect itself from the downstream port of the host or another hub controller for further power saving.
- The connection of the upstream port will be established automatically once there is any device attached to its downstream ports.

3. Block Diagram



4. Pin Information

4.1 Pin Assignment



The version number is shown in the location marked 'VV' and G means Green Package

4.2 Pin Descriptions

Pin Name	Pin No.	I/O Type	Description
Power supply			
DV33	4,22,48,73	Power	3.3V power supply for digital circuits
DV12	3,49,50	Power	1.2V power supply for digital circuits
AV12	7,13,19,25,31,58,64,70	Power	1.2V power supply for analog circuits
LDO_V5_IN	54	Power	5V to 3.3V LDO input. Short this pin to DV33, when on-chip LDO is not used.
V33_OUT	55	Power	3.3V output (from internal 5V to 3.3V Low Dropout Regulator) Short this pin to DV33, when on-chip LDO is not used.
SWR_V5_IN	53	Power	5V to 1.2V SWR input Connect this pin to LDO_V5_IN if internal switching regulator isn't used.
SWR_GND	51	GND	Reference GND for 1.2V SWR
SWR_OUT	52	Power	5V to 1.2V SWR output Left this pin floating if internal switching regulator isn't used.
GND	61	GND	Reference ground
E-PAD	-	GND	The bottom of the package has a thermal pad. The pad shall be connected to the reference ground
Analog Interface			
RREF	1	I	Connect an external resistor (6.2K \pm 1%) to the Reference GND
System Clock			
XTLI	74	I	12Mhz Crystal input.
XTLO	75	O	12Mhz Crystal output.
LED Control Pins			
GPIO0/SMBCL, GPIO2/SCL, GPIO4,GPIO6	32,34,36,38	I/O	General Purpose I/O. Now used for LED application to indicate Downstream Ports transmit and receive activity .The LEDs will blink when there is USB transfer under corresponding port. These pins have weak internal pull up resistances. Left these pins floating when unused. The GPIO0 can be configured as a SMBus clock pin The GPIO2 can be configured as a I2C clock pin
GPIO1/SMBDA, GPIO3/SDA, GPIO5,GPIO7	33,35,37,39	I/O	General Purpose I/O. Now used for LED application to indicate Downstream Ports over-current condition. The LEDs will on when over-current condition is detected. These pins have weak internal pull up resistances. Left these pins floating when unused. The GPIO1 can be configured as a SMBus data pin The GPIO3 can be configured as a I2C data pin

Pin Descriptions (continued)

Pin Name	Pin No.	I/O Type	Description
USB Port Control Pins			
DSP1_PWR, DSP2_PWR, DSP3_PWR, DSP4_PWR	40,41,42,43	O	External power switch enable pin for corresponding downstream port. Active low ⁽¹⁾ . Left these pins floating when unused. 0: Power supply for VBUS is on. 1: Power supply for VBUS is off.
OCP1,OCP2, OCP3,OCP4	67,10,16,28	I	Over Current Protection flag for corresponding downstream port .Active low ⁽¹⁾ . These pins have internal pull up resistors. Left these pins as floating if OCP function of these pins are unused and the 'power switch' mode is selected. The external pull-up resistors shall be connected to these pins if the 'non power switch' mode is selected and the OCP function of these pins are unused. 0: Over-current condition is detected. 1:Non over-current condition is detected.
BPWR_DET	2	I	Upstream VBUS power detection pin. Active High. 0: Upstream VBUS power is absent. 1: Upstream VBUS power exists.
SPWR_DET	76	I	Self Power Detection pin. Active High. 0: Bus-power setting 1: Self-power setting
SPI Interface			
SCK	44	I/O	This is I/O bi-direction. Now used as clock output for EEPROM or Serial Flash memory
SCS	45	I/O	This is I/O bi-direction. Now used as output chip select for EEPROM or Serial Flash memory Upon power on reset this pin is also used for pin strap option to perform code execution from internal ROM or external SPI ROM. 0:Execute codes from internal ROM .Optionally load configurable futures from the external EEPROM. 1:Execute codes from Serial Flash.
MISO	46	I/O	This is I/O bi-direction. Now used as data input from EEPROM or Serial Flash memory
MOSI	47	I/O	This is I/O bi-direction. Now used as data output to EEPROM or Serial Flash memory

(1) Active low by default. It can be configured to be active high by firmware through executing external codes.

Pin Descriptions (continued)

Pin Name	Pin No.	I/O Type	Description
USB3.0 Interface			
USP_SSTX+	60	O	USB3.0 SuperSpeed TX+ of Upstream Port
DSP1_SSTX+, DSP2_SSTX+, DSP3_SSTX+, DSP4_SSTX+	65,8,14,26	O	USB3.0 SuperSpeed TX+ of Downstream Ports
USP_SSTX-	59	O	USB3.0 SuperSpeed TX- of Upstream Port
DSP1_SSTX-, DSP2_SSTX-, DSP3_SSTX-, DSP4_SSTX-	66,9,15,27	O	USB3.0 SuperSpeed TX- of Downstream Ports
USP_SSRX+	63	I	USB3.0 SuperSpeed RX+ of Upstream Port
DSP1_SSRX+, DSP2_SSRX+, DSP3_SSRX+, DSP4_SSRX+	68,11,17,29	I	USB3.0 SuperSpeed RX+ of Downstream Ports
USP_SSRX-	62	I	USB3.0 SuperSpeed RX- of Upstream Port
DSP1_SSRX-, DSP2_SSRX-, DSP3_SSRX-, DSP4_SSRX-	69,12,18,30	I	USB3.0 SuperSpeed RX- of Downstream Ports
USB2.0 Interface			
USP_DP	56	I/O	USB2.0 D+ signal of Upstream Port
DSP1_DP, DSP2_DP, DSP3_DP, DSP4_DP	71,5,20,23	I/O	USB2.0 D+ signal of Downstream Ports
USP_DM	57	I/O	USB2.0 D- signal of Upstream Port
DSP1_DM, DSP2_DM, DSP3_DM, DSP4_DM	72,6,21,24	I/O	USB2.0 D- signal of Downstream Ports

4.3 Buffer list

5V input buffer with internal 10K pull-up resistor

OCP[4:1] ⁽²⁾

Open drain output buffer

DSP_PWR [4:1] ⁽¹⁾

3.3V bi-directional buffer

SCK.SCS, MISO, MOSI

3.3V bi-directional buffer with internal 200K pull-up resistor

GPIO[7:0]

5V input buffer

BPWR_DET, SPWR_DET

3.3V clock interface

XTLI, XTLO

USB2.0 interface

DSP_DP [4:1], USP_DP, DSP_DM [4:1], USP_DM

USB3.0 interface

DSP_SSTX+[4:1], DSP_SSTX- [4:1], DSP_SSRX+[4:1], DSP_SSRX-[4:1],
USP_SSTX+, USP_SSTX-, USP_SSRX+, USP_SSRX-

LDO interface

LDO_V5_IN, V33_OUT

Switching Regulator interface

SWR_V5_IN, SWR_OUT

- (1) Use open drain output buffer by default when configured as active low. If configured as active high by F/W, it will use the 3.3V output buffer instead.
- (2) The pull-up resistors are only valid when the 'power switch' mode is selected.

5. Electrical Characteristics

5.1 Absolute Maximum Ratings

Parameter	Symbol	Condition	Rating	Units
Power supply voltage	V_{5IN}		5.5	V
	V_{AV12}, V_{DV12}		-0.2 to 1.4	V
	V_{DV33}		-0.5 to 4.1	V
Input voltage ⁽¹⁾	V_I	3V buffer	-0.5 to $V_{DV33}+0.5$	V
		5V buffer Open drain buffer	-0.5 to +6	V
Output voltage ⁽²⁾	V_O		-0.5 to $V_{DV33}+0.5$	V
Output current ⁽³⁾	I_O	4mA Type ⁽⁴⁾	6	mA
		8mA Type ⁽⁴⁾	12	mA
Storage temperature	T_{stg}		-20 to +80	°C
Latch up Current			±400	mA
Electrostatic Discharge Voltage (HBM)			±5	KV

- (1) This parameter indicates voltage exceeding which damage or reduced reliability will occur when power is applied to an input pin.
- (2) This Parameter indicates voltage exceeding which damage or reduced reliability will occur when power is applied to an output pin.
- (3) This parameter indicates absolute tolerance values for DC current to prevent damage or reduced reliability when current flows out of or into output pin.
- (4) The output driving strength of all output is 4mA by default, which can be configured as 8mA by firmware through executing external codes.

5.2 Recommended Operating Ranges

Parameter	Symbol	Condition	Min.	Typ.	Max.	Units
Power supply voltage	V_{5IN}		4.45	5	5.25	V
	V_{AV12}, V_{DV12}	Active	1.08	1.2	1.32	V
		Disconnect / Suspend	1.0	1.08	1.32	V
	V_{DV33}		2.97	3.3	3.63	V
Available current of 3.3V power supply for external circuits ⁽¹⁾		$V_{5IN}=5V$			150	mA
Operating ambient temperature	T_A		0		+70	°C
Absolute maximum junction temperature	T_J		0		+125	°C
Surface Temperature of body	T_C	PCB Layer:4L	0		+87.95	°C
		PCB Layer:2L	0		+93.47	°C

- (1) Load current of external circuits shouldn't exceed the max value when using on-chip LDO. It is recommended that the external circuits are limited to SPI Flash and LEDs

5.3 DC Characteristics

5.3.1 DC Characteristics except USB differential signals

The following specifications apply when power supply voltages are within the recommended operating ranges in section 6.2.

Parameter	Symbol	Conditions	Min.	Max.	Units
Input leakage current ⁽¹⁾	I _I	3V buffer, V _I =V _{DV33} or GND	-0.5	+0.5	μA
		5V buffer, V _I =V _{5IN} or GND	-30	+30	μA
Input High Voltage	V _{IH}	3V buffer,	2		V
		5V buffer	3.06		V
Input Low Voltage	V _{IL}	3V buffer		0.8	V
		5V buffer		0.8	V
Output High Voltage	V _{OH}		0.9V _{DV33}		V
Output Low Voltage	V _{OL}			0.1V _{DV33}	V
TRI-STATE Output Leakage Current ⁽²⁾	I _{OZ}	3.3V buffer, V _O = V _{DV33} or GND	-0.5	+0.5	μA
Input pin Capacitance	C _{in}			10	pF

(1) This parameter indicates the current that flows through the input pin when power supply voltage is supplied to it.

(2) This parameter indicates the current that flows through the output pin in tri-stated when the power supply voltage is applied to it.

5.3.2 USB 2.0 Interface DC Characteristics

RTS5411 conforms to DC characteristics of Universal Serial Bus 2.0 Specification. Refer to the specification for more information.

5.3.3 USB 3.0 Interface DC Characteristics

RTS5411 conforms to DC characteristics of Universal Serial Bus 3.0 Specification. Refer to the specification for more information.

5.4 AC Characteristics

5.4.1 System Clock

The following specifications apply when power supply voltages and operating temperature are within the recommended operating ranges in section 5.2.

Parameter	Symbol	Condition	Min.	Typ.	Max.	Units
Clock frequency	F _{CLK}	Crystal ⁽¹⁾	-100ppm	12	100ppm	MHz

(1) Crystal used shall conform to the frequency ratings in the table over the temperature from 0°C to +70°C.

5.5 Power Consumption

The following consumption value applies upon the typical condition **without on-chip LDO and Switch Regulator operating**. The **VDD33** and **VDD12** are powered externally.

$T_A = 25^\circ\text{C}$, $V_{DD33}(V_{DV33}) = 3.3\text{ V}$, $V_{DD12}(V_{AV12}, V_{DV12}) = 1.2\text{ V}$.

Device Connection	Condition	Typical Supply Current(mA)		Typical Power(mW)
		VDD12	VDD33	
No Upstream connection	Hub is not connected to host controller.	0.75	0.9 ⁽¹⁾ 2.7 ⁽²⁾	3.9 9.8
Suspend	Hub is connected to host controller both with SuperSpeed and High-Speed. SuperSpeed hub goes into U3 state and USB2.0 hub goes into L2 state	1.0	1.5 ⁽³⁾ 3.5 ⁽⁴⁾	6.2 12.8
4 FS devices	Hub is connected to host controller both with SuperSpeed and High-Speed. Full-Speed data transfer on the four ports.	31.0	16.8	92.6
4 LS devices	Hub is connected to host controller both with SuperSpeed and High-Speed. Low-Speed data transfer on the four ports.	31.0	4.9	53.4
4 HS devices	Hub is connected to host controller both with SuperSpeed and High-Speed. High-Speed data transfer on the four ports.	99.7	4.3	133.8
4 SS devices	Hub is connected to host controller both with SuperSpeed and High-Speed. Super-Speed data transfer on the four ports. ⁽³⁾	118.6 ⁽⁵⁾ 442.2 ⁽⁶⁾	38.8 ⁽⁵⁾ 47.2 ⁽⁶⁾	270.4 686.4
2 SS devices	Hub is connected to host controller both with SuperSpeed and High-Speed. Super-Speed data transfer on the two ports. ⁽³⁾	76.5 ⁽⁵⁾ 266.6 ⁽⁶⁾	25.4 ⁽⁵⁾ 30.4 ⁽⁶⁾	175.6 420.2
1 SS devices	Hub is connected to host controller both with SuperSpeed and High-Speed. Super-Speed data transfer on one port. ⁽³⁾	56.4 ⁽⁵⁾ 181.8 ⁽⁶⁾	18.7 ⁽⁵⁾ 22.0 ⁽⁶⁾	129.4 290.8
4 SS/HS devices	Hub is connected to host controller both with SuperSpeed and High-Speed. Four SuperSpeed hubs are connected on all ports under SuperSpeed and High-Speed data transfer. ⁽³⁾	178.4 ⁽⁵⁾ 536.6 ⁽⁶⁾	37.5 ⁽⁵⁾ 45.9 ⁽⁶⁾	337.8 795.4

- (1) Charging mode is disabled
- (2) Charging mode is enabled
- (3) CDP function is disabled. The VDD33 power consumption will also decrease by 1mA in SS devices connection when CDP function is disabled
- (4) CDP function is enabled.
- (5) The SS devices under test support U1/U2 function. When the SS devices are Idle with little data transfer. The SuperSpeed hub will keep in U1/U2 power saving status most of the time.
- (6) The SS devices under test do not support U1/U2 function. So this is the worst case for SS power consumption

The following consumption value applies upon the typical condition **with on-chip LDO and Switch Regulator operating**. Only **VDD5** needs to be provided in this 5V mode.

TA= 25°C, VDD5(V_{SIN}) = 5 V.

Device Connection	Condition	Typical Supply Current(mA)	Typical Power(mW)
		VDD5	
No Upstream connection	Hub is not connected to host controller.	2.1 ⁽¹⁾	10.5
		4.1 ⁽²⁾	20.5
Suspend	Hub is connected to host controller both with SuperSpeed and High-Speed. SuperSpeed hub goes into U3 state and USB2.0 hub goes into L2 state	2.5 ⁽³⁾ 4.5 ⁽⁴⁾	12.5 22.5
4 FS devices	Hub is connected to host controller both with SuperSpeed and High-Speed. Full-Speed data transfer on the four ports.	27.8	139.0
4 LS devices	Hub is connected to host controller both with SuperSpeed and High-Speed. Low-Speed data transfer on the four ports.	16.9	84.5
4 HS devices	Hub is connected to host controller both with SuperSpeed and High-Speed. High-Speed data transfer on the four ports.	35.6	178.0
4 SS devices	Hub is connected to host controller both with SuperSpeed and High-Speed. Super-Speed data transfer on the four ports. ⁽¹⁾	76.4 ⁽⁵⁾	382.0
		182.6 ⁽⁶⁾	913.0
2 SS devices	Hub is connected to host controller both with SuperSpeed and High-Speed. Super-Speed data transfer on the two ports. ⁽¹⁾	50.8 ⁽⁵⁾	254.0
		110.6 ⁽⁶⁾	553.0
1 SS devices	Hub is connected to host controller both with SuperSpeed and High-Speed. Super-Speed data transfer on one port. ⁽¹⁾	37.4 ⁽⁵⁾	187.0
		76.8 ⁽⁶⁾	384.0
4 SS/HS devices	Hub is connected to host controller both with SuperSpeed and High-Speed. Four SuperSpeed hubs are connected on all ports under SuperSpeed and High-Speed data transfer. ⁽¹⁾	93.8 ⁽⁵⁾ 216.6 ⁽⁶⁾	469.0 1083.0

- (1) Charging mode is disabled
- (2) Charging mode is enabled
- (3) CDP function is disabled. The VDD33 power consumption will also decrease by 1mA in SS devices connection when CDP function is disabled
- (4) CDP function is enabled.
- (5) The SS devices under test support U1/U2 function. When the SS devices are Idle with little data transfer. The SuperSpeed hub will keep in U1/U2 power saving status most of the time.
- (6) The SS devices under test do not support U1/U2 function. So this is the worst case for SS power consumption

The following consumption value applies upon the typical condition **with on-chip Switch Regulator operating**. Only **VDD33** needs to be provided in this 3.3V mode.

TA= 25°C, VDD33(V_{DV33}) = 3.3 V.

Device Connection	Condition	Typical Supply Current(mA)	Typical Power(mW)
		VDD33	
No Upstream connection	Hub is not connected to host controller.	2.0 ⁽¹⁾	6.6
		4.0 ⁽²⁾	13.2
Suspend	Hub is connected to host controller both with SuperSpeed and High-Speed. SuperSpeed hub goes into U3 state and USB2.0 hub goes into L2 state	2.4 ⁽¹⁾	7.9
		4.4 ⁽²⁾	14.5
4 FS devices	Hub is connected to host controller both with SuperSpeed and High-Speed. Full-Speed data transfer on the four ports.	32.9	108.6
4 LS devices	Hub is connected to host controller both with SuperSpeed and High-Speed. Low-Speed data transfer on the four ports.	20.3	67.0
4 HS devices	Hub is connected to host controller both with SuperSpeed and High-Speed. High-Speed data transfer on the four ports.	48.6	160.4
4 SS devices	Hub is connected to host controller both with SuperSpeed and High-Speed. Super-Speed data transfer on the four ports. ⁽¹⁾	89.4 ⁽⁵⁾	295.0
		244.8 ⁽⁶⁾	807.8
2 SS devices	Hub is connected to host controller both with SuperSpeed and High-Speed. Super-Speed data transfer on the two ports. ⁽¹⁾	59.6 ⁽⁵⁾	196.7
		146.6 ⁽⁶⁾	483.8
1 SS devices	Hub is connected to host controller both with SuperSpeed and High-Speed. Super-Speed data transfer on one port. ⁽¹⁾	44.5 ⁽⁵⁾	146.9
		101.2 ⁽⁶⁾	334.0
4 SS/HS devices	Hub is connected to host controller both with SuperSpeed and High-Speed. Four SuperSpeed hubs are connected on all ports under SuperSpeed and High-Speed data transfer. ⁽¹⁾	114.9 ⁽⁵⁾	379.2
		295.2 ⁽⁶⁾	974.2

- (1) Charging mode is disabled
- (2) Charging mode is enabled
- (3) CDP function is disabled. The VDD33 power consumption will also decrease by 1mA in SS devices connection when CDP function is disabled
- (4) CDP function is enabled.
- (5) The SS devices under test support U1/U2 function. When the SS devices are Idle with little data transfer. The SuperSpeed hub will keep in U1/U2 power saving status most of the time.
- (6) The SS devices under test do not support U1/U2 function. So this is the worst case for SS power consumption

5.6 Power On/Off Sequence

When the on-chip LDO and switch regulator are not used, both 1.2V and 3.3V power need to be provided externally. The power on/off sequence between 1.2V and 3.3V need to be noticed as in Figure 5-1. During power on, it is recommended that the point where both power supplies are stabilized should be no later than 50ms after the start of the 3.3V rising. During power off, the end of 1.2V falling should be no later than 350ms after the start of 3.3V falling. Meanwhile, the falling time ($0.9V_{DD}$ to $0.1V_{DD}$) of 3.3V power should be no less than 50us. During the whole process, the voltage of 3.3V power should be always above the 1.2V power.

When the 5V to 3.3V LDO is used and 1.2V power is provided externally. The power on/off sequence between 1.2V and 5V should be as the same as the sequence between 1.2V and 3.3V mentioned above.

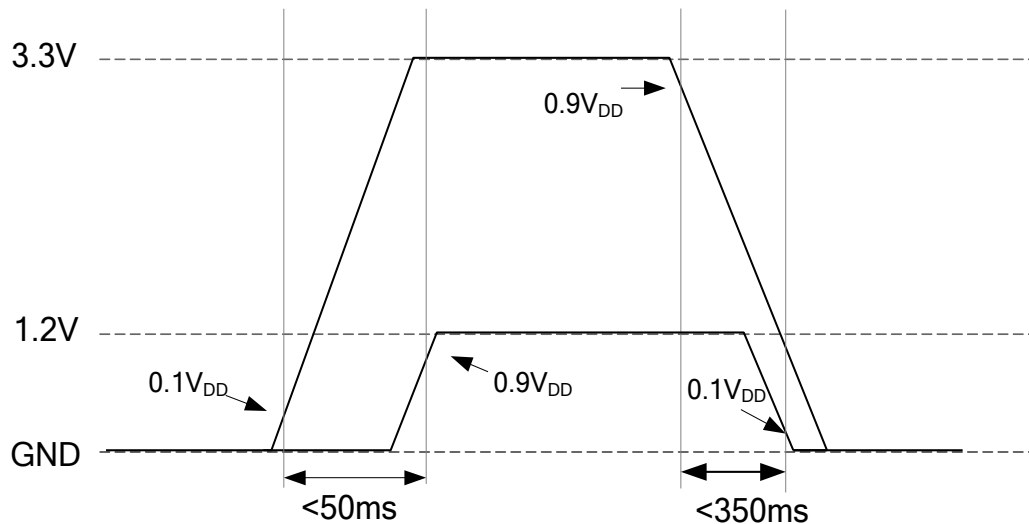


Figure 5-1. Power On/Off Sequence when 1.2V and 3.3V are provided externally

When both 5V to 3.3V LDO and 5V to 1.2 switch regulator are used, only 5V power needs to be provided. During power on, the rising time of 5V should be less than 50ms. During power off, the falling time from $0.9V_{DD}$ to 2V should be less than 500ms as in Figure 5-2.

When switch regulator is operated in 3.3V to 1.2V mode, only 3.3V power needs to be provided. The rising and falling during power on/off should comply with the timing mentioned in adjacent section above.

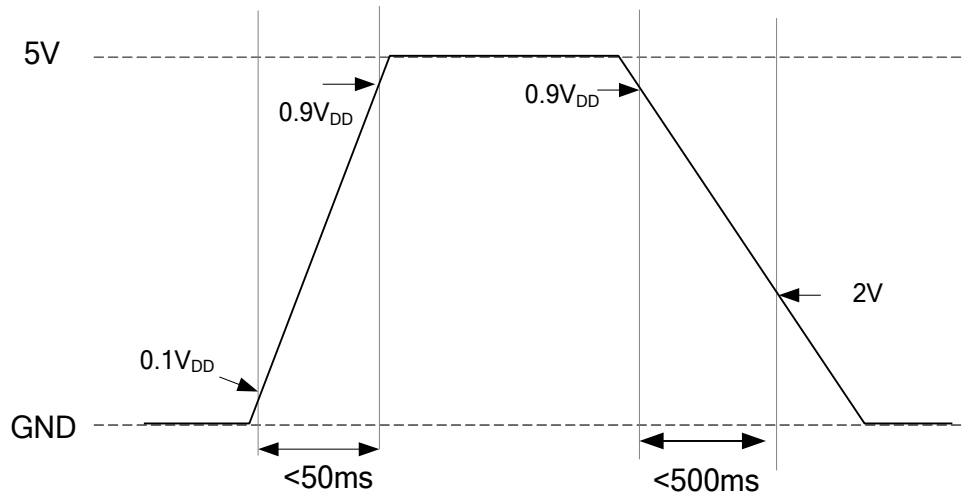


Figure 5-2 Power On/Off Sequence in 5V only mode

6. SMBus Slave Interface

The SMBus interface of RTS5411 is default enabled by firmware after power reset. To disable the SMBus, bit 7 of the register SMBUS_MODE will be set to zero.

6.1 Pull-Up Resistor for SMBus

External pull-up resistors (10 kΩ recommended) are required on the SM_DAT and SM_CLK pins when implementing SMBus.

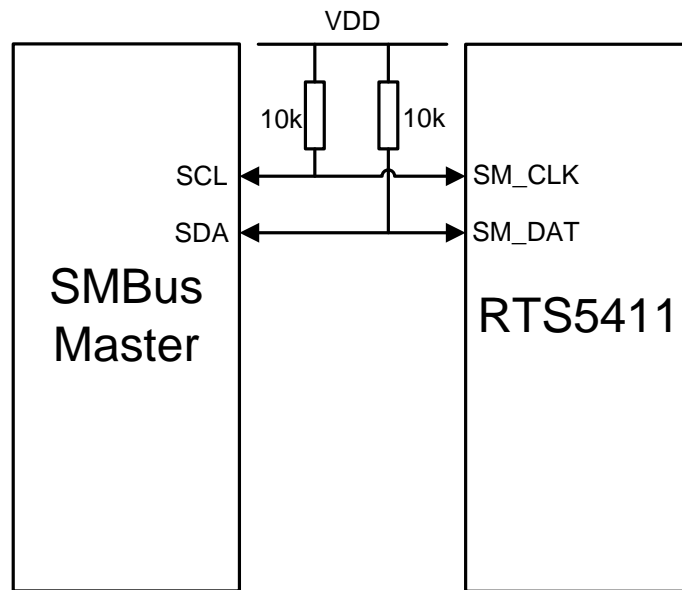


Figure 6-1. SMBus Slave Connection

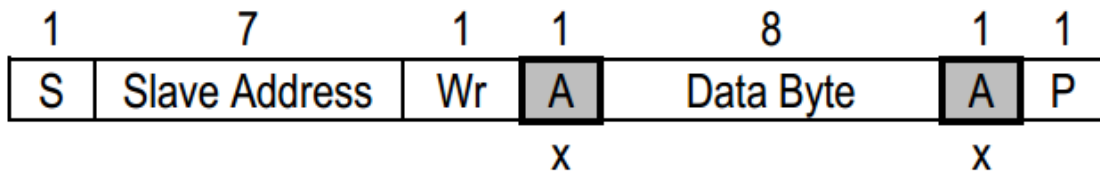
6.2 SMBus Bus Protocol

There are three **Bus Protocols** (defined in *SMBus Specification Revision 1.0*) supported by the SMBus interface of RTS5411:

- Receive Byte
- Block Write
- Block Read

These bus protocols are shown in Figure 6-3, Figure 6-4 and Figure 6-5. The shading shown in the figures during a read or write indicates the hub is driving data on the SM_DAT line; otherwise, host data is on the SM_DAT line. Not all protocol elements will be present in every command. For instance, not all packets are required to include the Packet Error Code.

Note: Data bytes are transferred MSB first.



- S Start Condition
- Sr Repeated Start Condition
- Rd Read (bit value of 1)
- Wr Write (bit value of 0)
- x Shown under a field indicates that that field is required to have the value of 'x'
- A Acknowledge (this bit position may be '0' for an ACK or '1' for a NACK)
- P Stop Condition
- PEC Packet Error Code
- Master-to-Slave
- Slave-to-Master
- ... Continuation of protocol

Figure 6-2. SMBus Bus Protocol

6.2.1 Receive Byte

The **Receive Byte** is similar to a Send Byte, the only difference being the direction of data transfer. A simple device may have information that the host needs. It can do so with the Receive Byte protocol. The same device may accept both Send Byte and Receive Byte protocols. A NACK (a '1' in the ACK bit position) signifies the end of a read transfer.

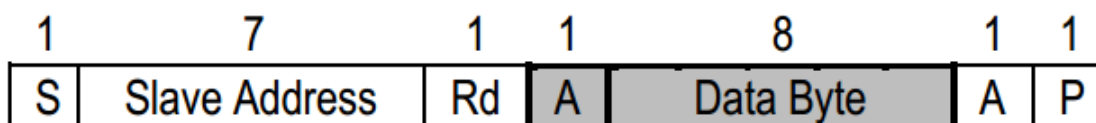


Figure 6-3. Receive Byte

6.2.2 Block Write/Block Read

The **Block Write** begins with a slave address followed by a write bit, which is sent by I2C master. After the command code following the slave address, the I2C master sent a byte count which describes how many bytes will be transmitted later. For example, there are 20 bytes to be send by I2C master, the byte count field should be set as 20 (14h) which followed by the 20-byte data. The byte count does not include the PEC byte. The byte count may not set as zero. A Block Read or Block Write is allowed to transfer **a maximum of 32 data bytes**.

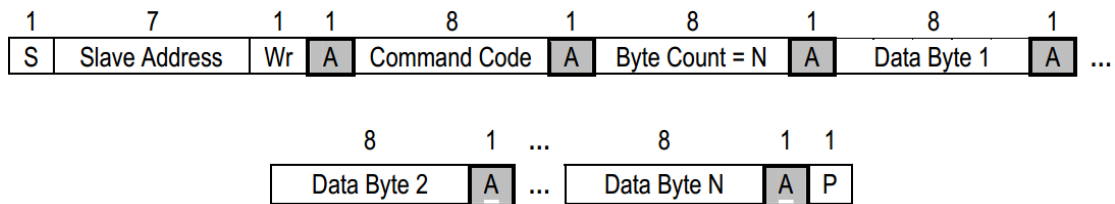


Figure 6-4. Block Write

A **Block Read** differs from Block Write in that the repeated START condition exists to satisfy the requirement for a change in the transfer direction. A NACK immediately preceding the STOP condition signifies the end of the read transfer.

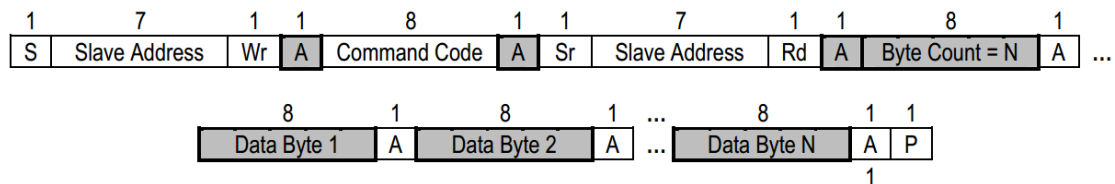


Figure 6-5. Block Read

6.3 SMBus Transfer Protocol

There are three Transfer Protocols supported by the SMBus interface of the RTS5411:

- Get Device Status
- Block-out Transfer
- Block-in Transfer

6.3.1 Slave Address

The SMBus slave address of RTS5411 is default set to be 1101010b.

The value of slave address should be written to SLAVE_ADDR register when the initialization process of the firmware, then HW will automatically compare it with the received slave address.

6.3.2 Get Device Status

A **Get Device Status** is implemented by **Receive Byte**, which is used by the master to polling the transfer status for the addressed device

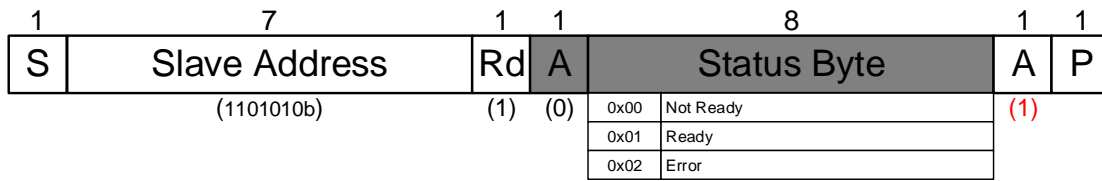


Figure 6-6. Get Device Status

6.3.3 Block-out Transfer

A **Block-out Transfer** is implemented by **Block Write** and **Receive Byte**, which is used by the master to send a block data. The maximum transfer size is 32-byte.

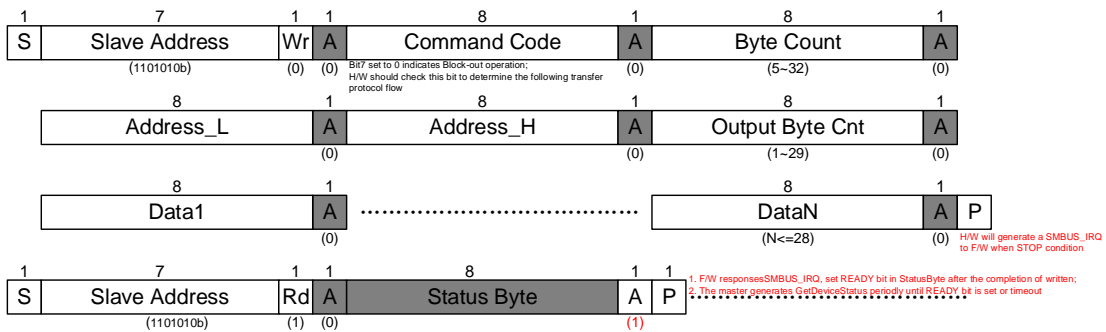


Figure 6-7. Block-out Transfer

6.3.4 Block-in Transfer

A **Block-in Transfer** is implemented by Block Write, Block Read and Receive Byte, which is used by the master to receive a block data. The maximum transfer size is 32-byte.

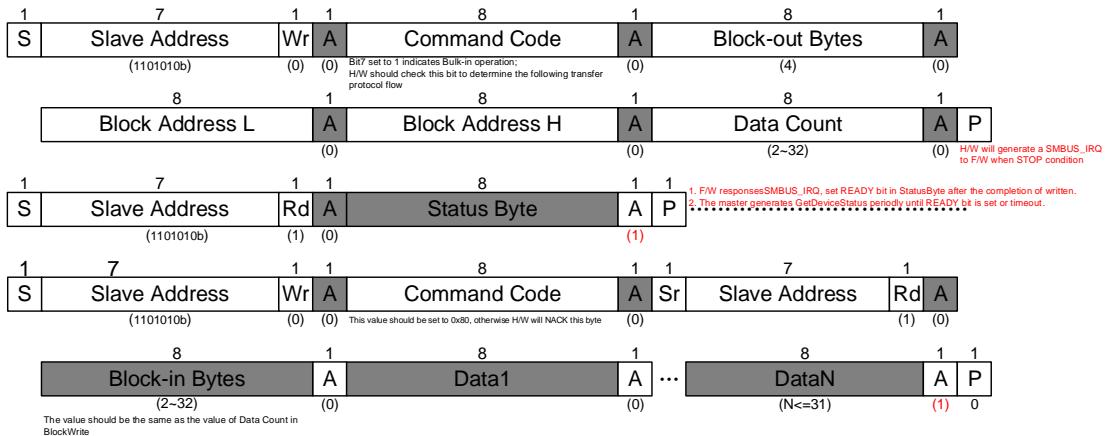


Figure 6-8. Block-in Transfer

6.3.5 SMBus Patch Setting Transfer

A **SMBus Patch Setting Transfer** is implemented by **Block Write**, **Receive Byte**, which is used for the patch of PHY registers, MAC registers and Vendor Settings. The maximum transfer size of one transfer is 27-byte.

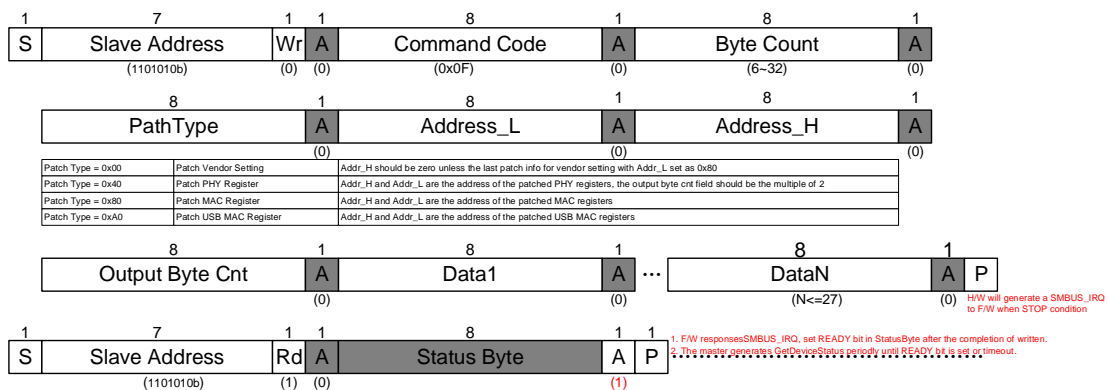


Figure 6-9. SMBus Patch Setting Transfer

6.3.6 Customer Charging Configuration Transfer

A **Customer Charge Configuration Transfer** is implemented by **Block Write, Receive Byte**, which is used by the customer to configure the charge mode of the hub's downstream port(s). The maximum transfer size is 11-byte.

The first transaction is **Block Write Transaction**; the arguments of each field should be set as following:

Argument	Value
Command Code	0x0E
Byte Count	0x05, 0x07, 0x09, 0x11 (depended on the number of ports to be configured)
AddressL	0x00
AddressH	0x00
OutputByteCnt	0x02, 0x04, 0x06, 0x08 (depended on the number of ports to be configured)
CustomerChargePort	when bit 7 set to one, port number field indicates the specified customer charge port; when bit 7 set to zero, port number field is ignored and should be set to zero
DCP_Mode	Detailed setting referred to the following figure

The second transaction is **Receive Byte Transaction**. When the I2C master completed the **Block Write Transaction**, the master should be issues a **Receive Byte Transaction** to get the status of the previous **Block Write Transaction** via received byte. If the received byte is equal to one, it means that the previous transaction is successful and the customer charge has been configured, if the received byte is equal to zero, it means that the customer charge is in process, then the I2C master may polling the status periodically until the received byte is equal to one or timeout specified by the master is occurred; otherwise, there may be an error during the transfer (detailed error information refers to the following figure).

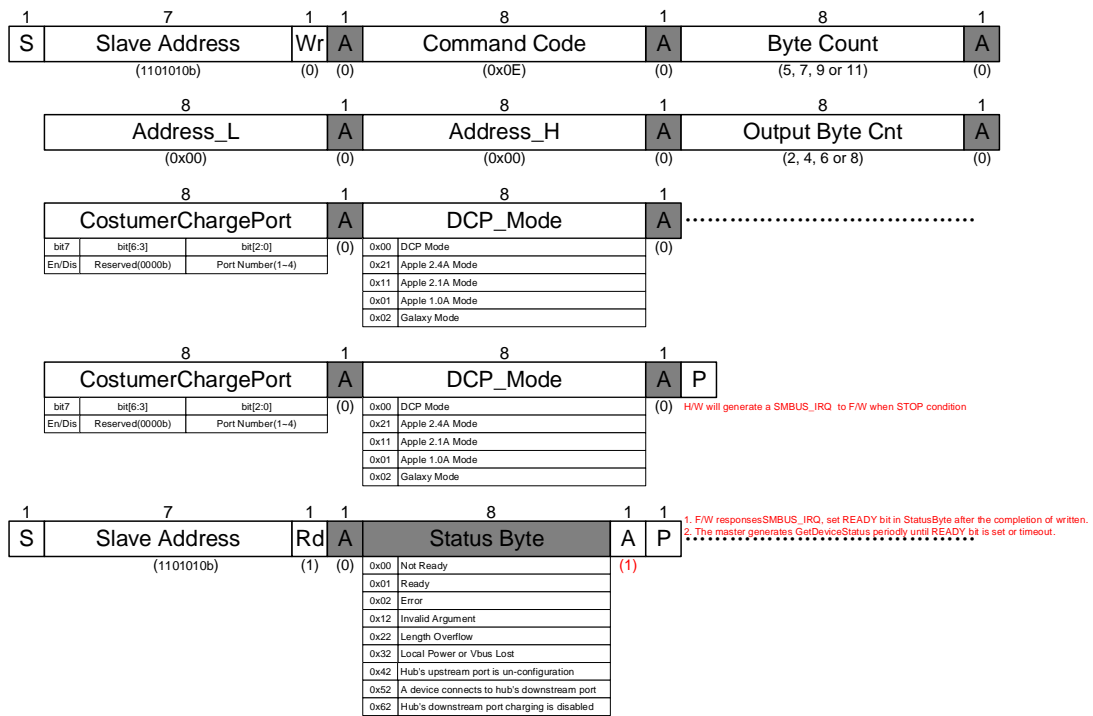


Figure 6-10. Customer Charging Configuration Transfer

6.3.7 Invalid Protocol Response Behavior

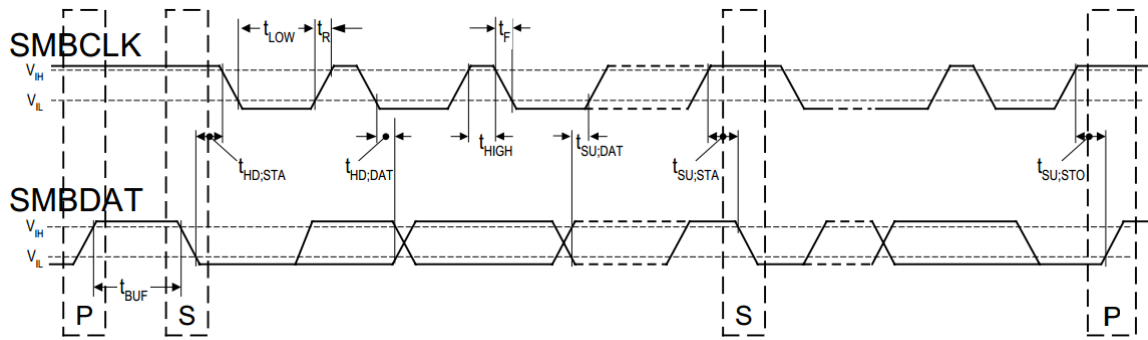
The only valid protocols are Get Device Status, Bulk-out Transfer and Bulk-in Transfer (described above), where RTS5411 only responds to the 7-bit firmware configured slave addresses (1101010b). Any invalid protocol will result ERROR bit set in Status Byte, which indicates that an error has happened.

6.4 Bus Reset Sequence

The SMBus slave interface resets and returns to the idle state upon a START condition followed immediately by a STOP condition.

6.5 SMBus Timing

The SMBus slave interface complies with the *SMBus Specification Revision 1.0*. See Section 2.1, *AC Specifications* on page 3 for more information.


Figure 6-9. SMBus Slave Time Diagram

Symbol	Parameter	Limits		Units
		Min	Max	
F_{SMB}	SMBus Operating Frequency	10	100	kHz
F_{BUF}	Bus free time between Stop and Start Condition	4.7	-	μ s
$T_{HD:STA}$	Hold time after (Repeated) Start Condition. After this period, the first clock is generated.	4.0	-	μ s
$T_{SU:STA}$	Repeated Start Condition setup time	4.7	-	μ s
$T_{SU:STO}$	Stop Condition setup time	4.0	-	μ s
$T_{HD:DAT}$	Data hold time	300	-	ns
$T_{SU:DAT}$	Data setup time	250	-	ns
$T_{TIMEOUT}$	Detect clock low timeout	25	35	ms
T_{LOW}	Clock low period	4.7	-	μ s
T_{HIGH}	Clock high period	4.0	50	μ s
$T_{LOW:SEXT}$	Cumulative clock low extend time (slave device)	-	25	ms
$T_{LOW:MEXT}$	Cumulative clock low extend time (master device)	-	10	ms
T_F	Clock/Data Fall Time	-	300	ns
T_R	Clock/Data Rise Time	-	1000	ns
T_{POR}	Time in which a device must be operational after power-on reset		500	ms

Table 6-1. SMBus AC specifications

7. I2C Master and slave interface

7.1 I2C Slave interface

The operation flow and data transaction format of I2C slave is similar with SMBus slave , reference SMBus Slave interface for reference.

7.2 I2C Master interface

7.2.1 Supported Mode and Speed

RTS5411 support the following three bus speed mode:

- Standard-mode (Sm), with a bit rate up to 100 kbit/s.
- Fast-mode (Fm), with a bit rate up to 400 kbit/s.
- Fast-mode Plus (Fm+), with a bit rate up to 1 Mbit/s.

7.2.2 Transfer Protocol Implementation

RTS5411 support four types transfer format

- Write
- Read
- Read Random
- Send Address

Write transfer

Master-transmitter transmits to slave-receiver. The transfer direction is not changed as depicted in the figure below. The slave receiver acknowledges each byte.

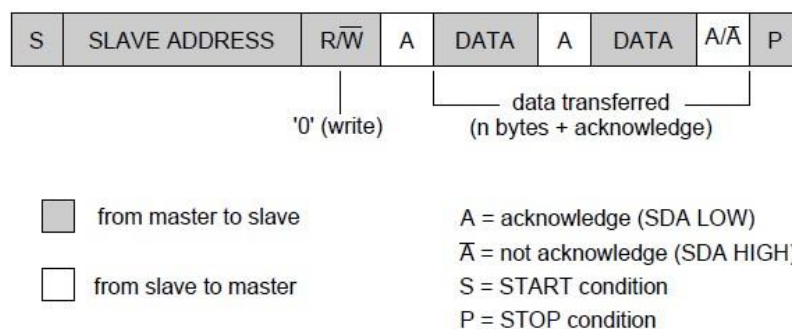


Figure 7-1 Write transfer format

Read transfer

Master reads slave immediately after first byte (see Figure below). At the moment of the first acknowledge, the master-transmitter becomes a master-receiver and the slave-receiver becomes a slave-transmitter. The first byte data is still generated by the slave, and then I2C master generates subsequent acknowledges. At the end, STOP condition is generated by the master, which sends a not-acknowledge (A) just before the STOP condition.

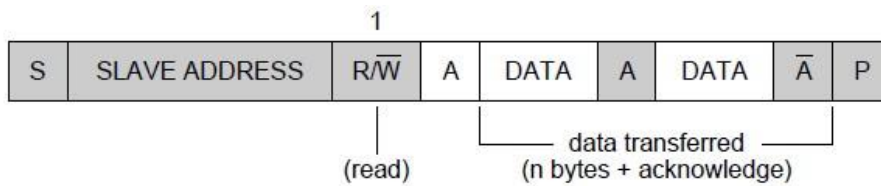


Figure 7-2 Read transfer format

Read Random transfer

Read Random transfer format initiate two START condition, one is START , the other is Start repeat (Sr), during the start and Sr the transfer direction changed. During a change of direction within a transfer, the START condition and the slave address are both repeated, but with the R/W bit reversed. As describe in the figure below ,the R/W bit after the first START is write and the data length n is 0 to 4 bytes. And the following start repeat R/W bit is read. The purpose of this format is to send command for the following Read operation.

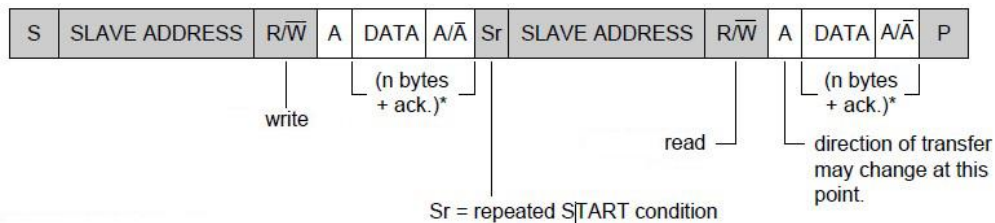


Figure 7-3 Read Random transfer format

Send Address

The Send Address transfer format is only with the slave address and without data, STOP condition following the R/W bit. This operation is used to set I2C slave device slave address.

7.2.3 Stretching the SCK

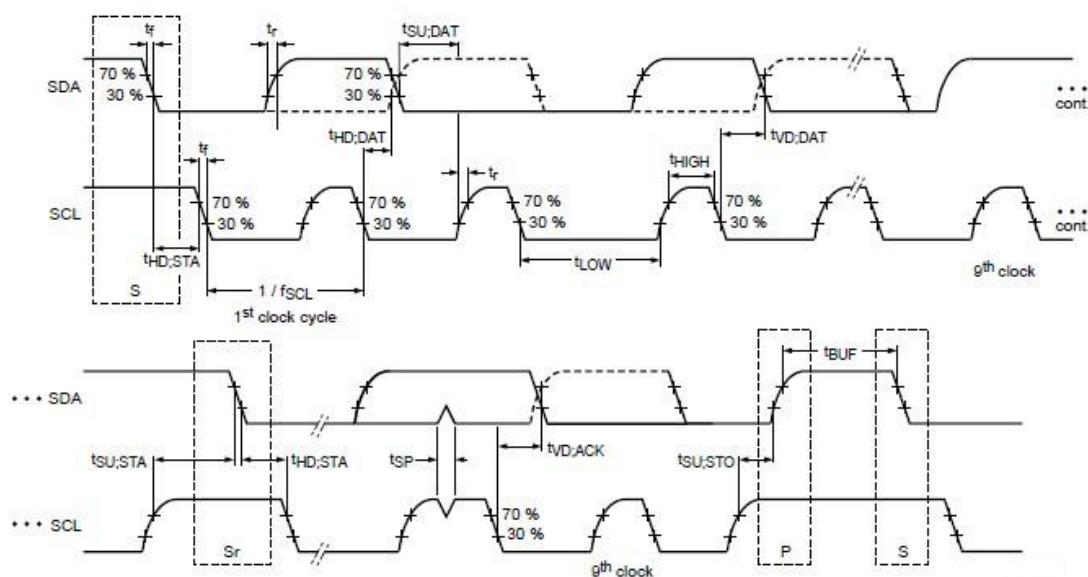
RTS5411 support the I2C slave stretch SCK when the slave is busy. Besides , the hub will stretch the SCK if the memory to send or receive data being full or empty.

7.2.4 Slave Response Timeout

The Slave Response Timeout is configurable for RTS5411.

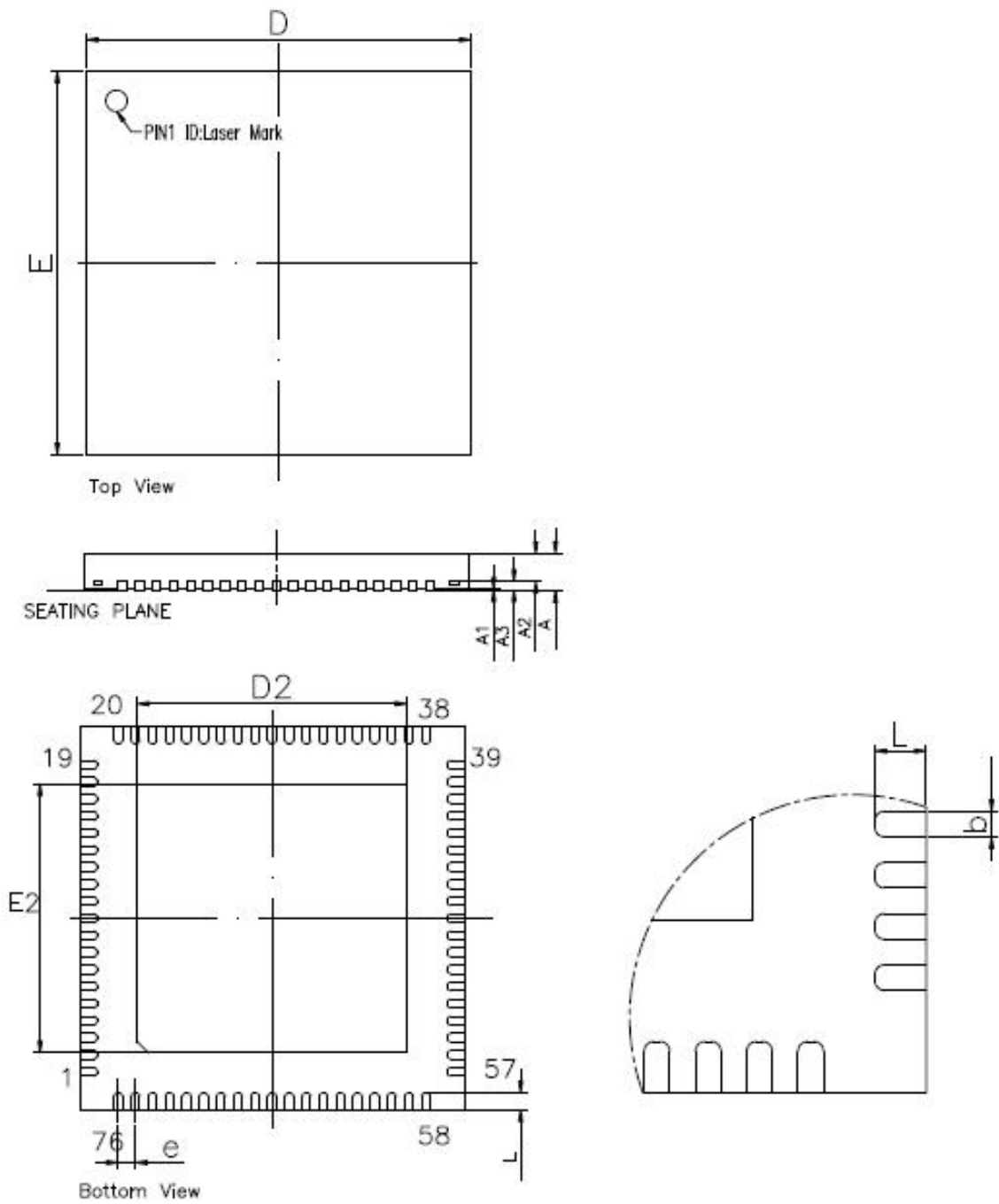
7.3 I2C Timing

The I2C-bus timing characteristics, bus-line capacitance and noise margin are given in Table7-1. Figure 7-4 shows the timing definitions for the I2C-bus.


Figure 7-4 Definition of timing on the I2C bus
Table 7-1 I2C Master Timing Specification

Symbol	Parameter	Standard-mode		Fast-mode		Fast-mode Plus		Unit
		Min	Max	Min	Max	Min	Max	
f_{SCL}	SCL clock frequency	0	100	0	400	0	1000	kHz
$t_{HD:STA}$	hold time(repeated) START condition	4.0	-	0.6	-	0.26	-	μ s
t_{LOW}	LOW period of the SCL clock	4.7	-	1.3	-	0.5	-	μ s
t_{HIGH}	HIGH period of the SCL clock	4.0	-	0.6	-	0.26	-	μ s
$t_{SU:STA}$	set-up time for a repeated START condition	4.7	-	0.6	-	0.26	-	μ s
$t_{HD:DAT}$	data hold time	5.0	-	-	-	-	-	μ s
$t_{SU:DAT}$	data set-up time	250	-	100	-	50	-	ns
t_r	rise time of both SDA and SCL signals	-	1000	$20+0.1Cb$	300	-	120	ns
t_f	fall time of both SDA and SCL signals	-	300	$20+0.1Cb$	300	-	120	ns
$t_{SU:STO}$	set-up time for STOP condition	4.0	-	0.6	-	0.26	-	μ s
t_{BUF}	bus free time between a STOP and START condition	4.7	-	1.3	-	0.5	-	μ s

C_b	capacitive load for each bus line	-	400	-	400	-	550	pF
$t_{VD;DAT}$	data valid time	-	3.45	-	0.9	-	0.45	μ s
$t_{VD;ACK}$	data valid acknowledge time	-	3.45	-	0.9	-	0.45	μ s
V_{nL}	noise margin at LOW level	$0.1V_{DD}$	-	$0.1V_{DD}$	-	$0.1V_{DD}$	-	V
V_{nH}	noise margin at LOW level	$0.2V_{DD}$	-	$0.2V_{DD}$	-	$0.2V_{DD}$	-	V

8. QFN-76 Package Dimensions


Symbol	Dimension in mm			Dimension in inch		
	Min	Nom	Max	Min	Nom	Max
A	0.80	0.85	0.90	0.031	0.033	0.035
A ₁	0.00	0.02	0.05	0.000	0.001	0.002
A ₂	---	0.65	0.70	---	0.026	0.028
A ₃	0.2 REF			0.008 REF		
b	0.15	0.20	0.25	0.006	0.008	0.010
D/E	9.00 BSC			0.354 BSC		
D ₂ /E ₂	5.13	5.38	5.63	0.202	0.212	0.222
e	0.40 BSC			0.016 BSC		
L	0.30	0.40	0.50	0.012	0.016	0.020

Notes :

1. CONTROLLING DIMENSION : MILLIMETER(mm).
2. REFERENCE DOCUMENTL : JEDEC MO-220.

9. Ordering Information

Part Number	Package	Status
RTS5411-GR	QFN-76 Green package	MP available
RTS5411-GRT	QFN-76 Green package with Tape and Reel	MP available